



T 500 SW



The **T 500 SW** is a subwoofer that was designed to suit the most varied types of sound systems, be it residential or car audio, and can be used in residential boxes, Home Theaters, 3-way boxes and etc, due to its frequency response, from 45hz to 6000hz, as well as structured to handle 250 watts RMS. Available at 4 ohms, this product has a sensitivity of 90.160 dB, aligned with a great linearity of response and quality throughout its operating range. Live a new experience listening to your playlist with a fidelity that will amaze your ears.

ELECTRICAL PARAMETERS

RMS POWER	250 W
MUSICAL PROGRAM POWER	500 W
NOMINAL IMPEDANCE	4 ohms / 8 ohms
RESISTANCE (RE)	4.4 / 6.5 ohms VCC
NO (EFFICIENCY REFERENCE)	0.652%
SENSITIVITY (@ 1W, 1 m)-Free-Air	90.160 dB
DIAPHRAGM MASS (MMD)	13.476 g
TOTAL MASS (MMS)	14.356 g
BL PRODUCT	7.785 TM
MECHANICAL Q (Qms)	4.318
ELECTRIC Q (Qes)	0.352
TOTAL Q (Qts)	0.326
COMPLIANCE (CMS)	610,268u M/N
EQUIVALENT VOLUME (VAS)	15,267 L
FREQUENCY RESPONSE	45Hz à 6.000Hz
RESONANCE FREQUENCY	53.771 Hz
Le @ 1 kHz (coil inductance at 1kHz)	1.73 mH
EFFECTIVE CONE AREA (SD)	0.0132 Sq.m
CONE EXCURSION WITHOUT DISTORTION (X MAX)	+ - 5.4 mm
FLOW DENSITY IN THE GAP	7.800 GAUSS

MECHANICAL PARAMETERS

NOMINAL DIAMETER	6 Inches
FERRITE MEASURES	2 de 102 X 43 X 14mm
COIL DIAMETER	1 1/4 Inches
COIL HEIGHT	13 mm
COIL WIRE MATERIAL	CCAW
COIL WIRE SECTION	Round
COIL SHAPE	*Kapton®
GAP HEIGHT	6,35 mm
HOUSING MATERIAL	Steel
FERRITE MATERIAL	Barium
WEIGHT	2.01 Kg
VOLUME OCCUPIED ON THE CABINET	0.35 Liters

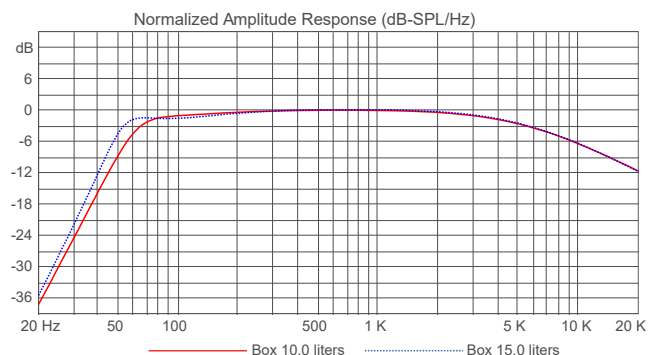
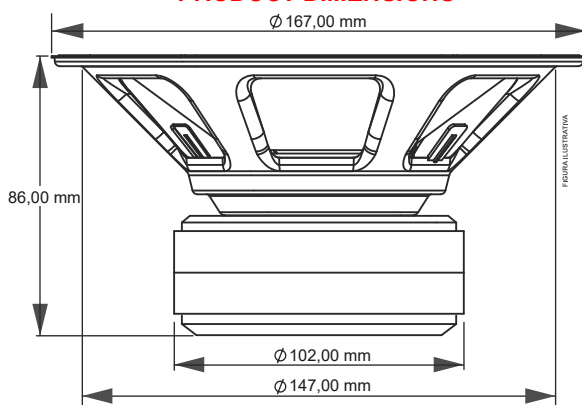
*Kapton® Marca registrada pela DUPONT

CABINET SUGGESTIONS

MODELO	VOLUME	DUCTS	DUCTS	DUCTS	SYNTONY	(H.P.F)	ATTENUATION (ATIVA)
	LITERS	QUANT.	DIAM.	PROF.			
VENTED BOX	10	02	2"(POL)	300 mm	60,0 Hz	50 Hz	- 24 dB/ Octave
	15	02	2"(POL)	225 mm	55,0 Hz	45 Hz	- 24 dB/ Octave

Thiele-Small parameters are obtained after applying a sinusoidal level 50 hz for a period of 30 minutes. A tolerance of + - 15% on the specified values is allowed.

PRODUCT DIMENSIONS



www.taramps.com.br

Rod. Julio Budisk SP 501 s/n, - Compl. KM 30-A/SP ZIP:19.180-000 Phone Number +55 (18) 3266-4050 National Registry(CNPJ): 23.372.795/0001-64

Note: Features, specifications and aesthetics are subject to change without notice.

WARRANTY TERM

When all our products are produced, they undergo rigorous evaluations, in each construction process until they are packaged, however, if any type of abnormality is detected, when opening the package, it must be sent to one of our authorized service stations, or directly to the factory, if there is not an authorized technician in your region. **Each and every product must undergo a technical evaluation so that the defect is identified and proven.**

The product has a warranty of 15 (fifteen) months after the issuance of the invoice, with the legal warranty of 90 days, provided for in article 26, item II, of law No. 8078/90 (Brazilian consumer protection code).

Warranty Conditions:

The product must be installed correctly, by a specialized professional, as well as respecting the product characteristics.

The customer **will NOT** have the warranty when:

- Exceed the period of 15 (fifteen) months.
- Damages incurred are caused by; transport or handling accident, or humidity.
- Defects caused by improper installation.
- Malfunctions in product parts (torn cone/dust cap, bent or broken speaker housing).
- Coils burned out by excessive power or extreme distortion conditions, causing heating above 240°.

Warranty Coverage:

- Taramps guarantees its products against any defect in material or manufacturing process, provided that, at the discretion of its authorized technicians, it is found to be defective under normal conditions of use.
- **The PRODUCT must contain the original label, on which its serial number is inserted.**
- To use the warranty, the customer must present the invoice and the warranty term, both of which must contain the serial number on the product label.

Transport

Only products that fall under the terms of warranty coverage will have their transportation expenses covered, otherwise, the expense will be at the customer's expense.

WARRANTY CERTIFICATE

NAME: _____

ADDRESS: _____

CITY: _____ ZIP: _____

STATE: _____ PHONE: _____

DEALER: _____

ADDRESS: _____

CITY: _____ ZIP: _____

STATE: _____ PHONE: _____

INVOICE NUMBER